

TK-6U1-5LM

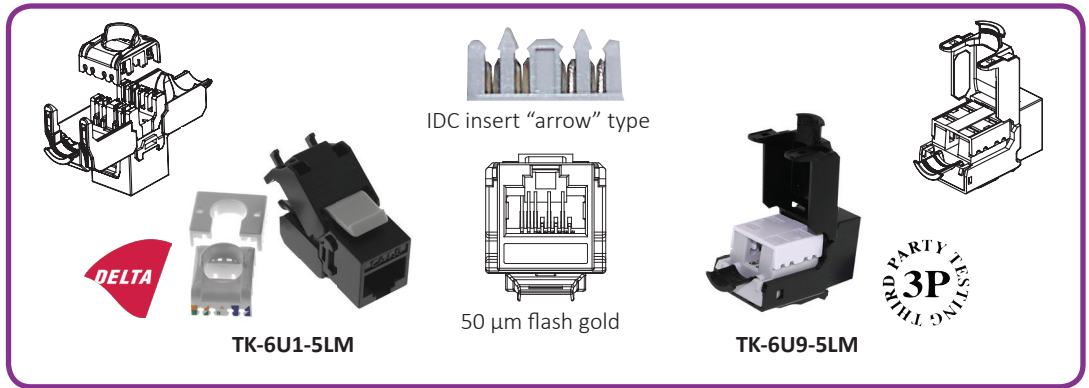
TK-6U9-5LM

Keystones for Category 6 UTP cable and section of conductors 23-26 AWG.

High-end products which solid construction and features such as gold plated 50µ of its contacts and its IDC arrow-shaped inserts for easy mounting provide to these keystones highest electrical and mechanical performances.

Lan cable can be assembled by different ways: Toolless, 110 insert tool and our crimping tool TK-5LM for fast and error-free installation.

Keystones Cat6 UTP 50µ



Models	TK-6U1-5LM	TK-6U9-5LM
Dimensions (wide/height/deep)	16 x 20,1 x 37.8 ±0.2mm	18 x 16,1 x 37 ±0.2mm

Technical specifications

Electrical	Dielectric strength	1.0V RMS - 60Hz
	Insulation resistance	≥ 500mΩ
	Contact resistance	2mΩ per contact
	Ratio intensity	1.5 Amp

Mechanical	Keystone raw materials	Housing	Plastics	ABS+PC, UL 94-V0	
			Color		negro
		Contacts	Metal parts	Phosphor bronze with plated nickel	
			Plating	50µ flash gold	
		Reconnections	> 550 times		
	IDCs raw materials	Material	PC + glass fiber, UL 94-V2		
		Color	Grey (RAL7035)		
		Crimp angle	180°	90°	
		Connection	Toolless/ 110 / TK-5LM	Toolless / 110 / TK-5LM	
		Contacts	Material	Phosphor bronze with tin plated	
AWG accepted			23-26 AWG stranded or solid		
Reconnections	> 200 times				

Environmental features	Operating temperature	-10°C + 60°C
	Relative humidity	75%

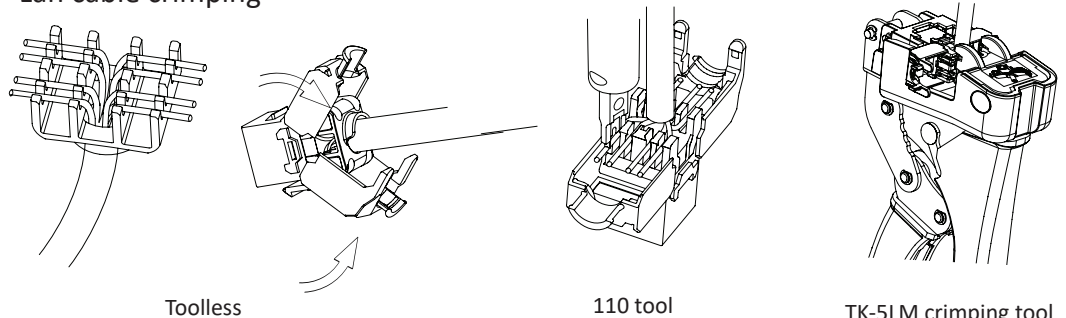
Packaging	Individual bag
-----------	----------------

Normatives

ISO/IEC 11801
TIA/ EIA 568-C.2
EN 50173
IEC 60603-7



Lan cable crimping



Toolless

110 tool

TK-5LM crimping tool

Edition: 2 / March 2016

Features and specifications subject to change without notice.