

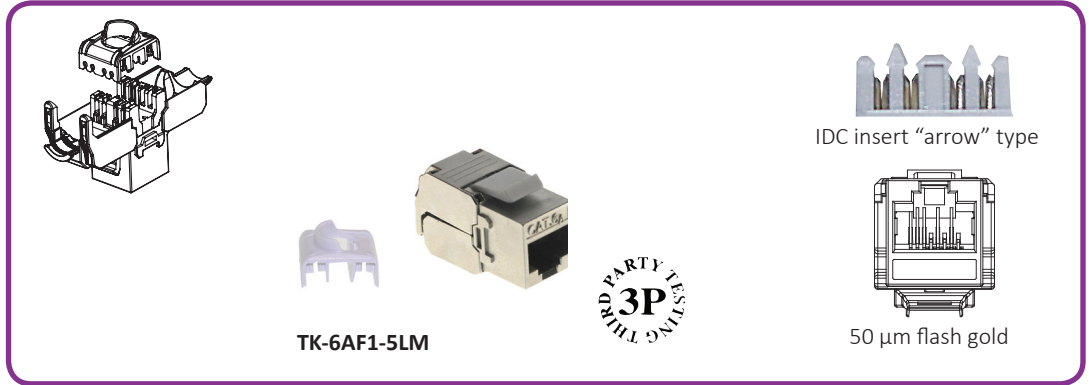
TK-6AF1-5LM

Keystones for Category 6A FTP cable and section of conductors 23-26 AWG.

High-end products which solid construction and features such as gold plated 50µ of its contacts and its IDC arrow-shaped inserts for easy mounting provide to these keystones highest electrical and mechanical performances.

Lan cable can be assembled by different ways: Toolless, 110 insert tool and our crimping tool TK-5LM for fast and error-free installation.

Keystones Cat6A FTP 50µ



Technical specifications

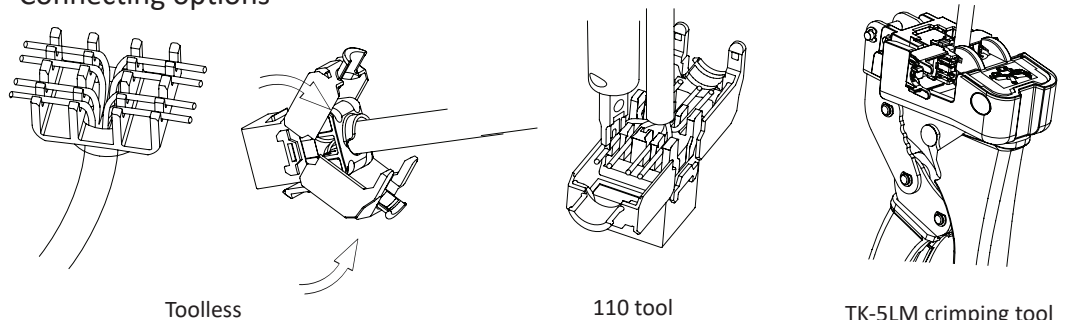
Models		TK-6AF1-5LM	TK-6AF9-5LM	
Dimensions (wide/height/deep)		16 x 20,1 x 37.8 ±0.2mm	18 x 16,1 x 37 ±0.2mm	
Electric	Dielectric strength	1.0V RMS - 60Hz		
	Insulation resistance	≥ 500mΩ		
	Contact resistance	2mΩ per contact		
	Ratio intensity	1.5 Amp		
Mechanic	Keystone raw materials	Housing	Contact bracket PC, UL 94-V2	
		Contacts	Metal parts Zinc and Nickel Alloy	
			Material Phosphor bronze with nickel plated	
	IDCs raw materials	Plating 50µ flash gold on plug contact area		
		Reconnections	> 550 times	
		Housing	PC + glass fiber UL 94-V2	
		Color	Grey (RAL7035)	
		Crimp angle	180°	90°
		Connection	Toolless/ 110 / TK-5LM	Toolless / 110 / TK-5LM
		Contacts	Material Phosphor bronze with tin plated	
AWG accepted 23-26 AWG stranded or solid				
Reconnections > 200 times				
Environmental features	Operating temperature	-10°C + 60°C		
	Relative humidity	75%		
Packaging		Individual bag		

Normatives

- ISO/IEC 11801
- TIA/ EIA 568-C.2
- EN 50173
- IEC 60603-7



Connecting options



Toolless

110 tool

TK-5LM crimping tool

Edition: 3 / March 2017

Features and specifications subject to change without notice.